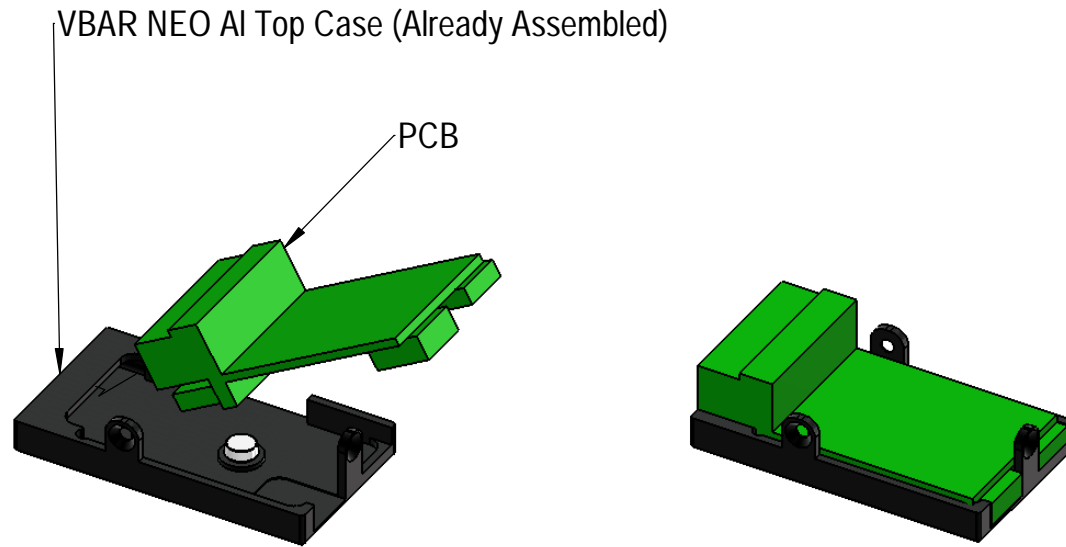


LX2546-VBAR NEO Aluminium Case-User Manual-Rev B

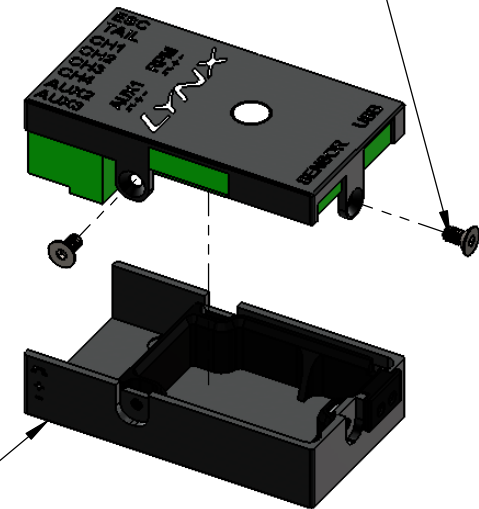
Step 01: Assembly PCB with VBAR NEO Aluminium Top Case



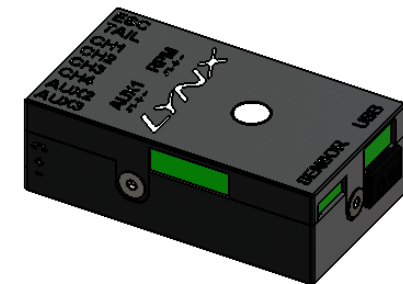
Finish Step 01

Step 02: Assembly Step 01 with VBAR NEO Aluminium Bottom Case

3xM2 countersunk hex cap



VBAR NEO AL Bottom Case (Already Assembled)



Finish

